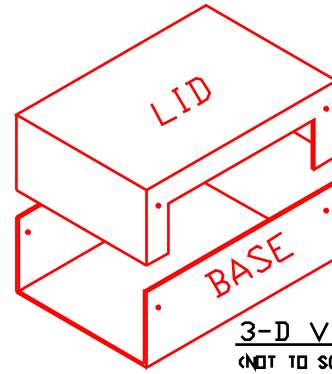


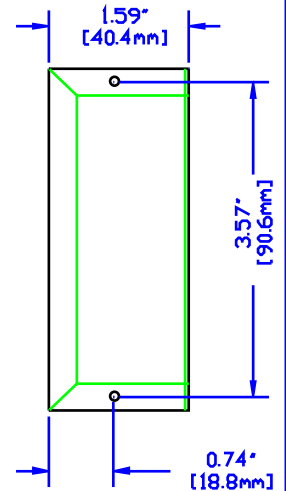
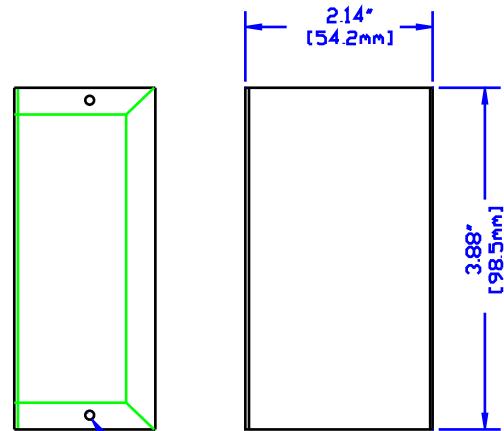
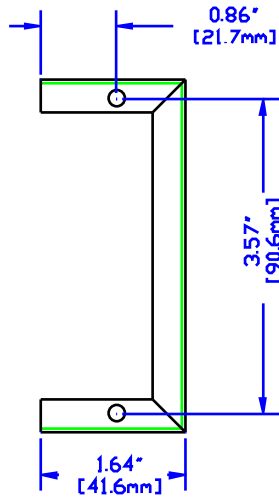
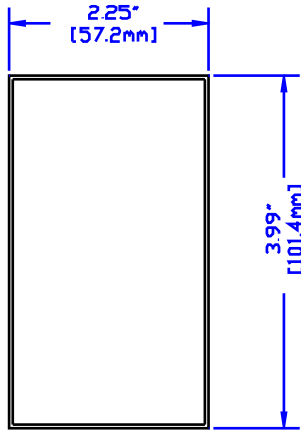
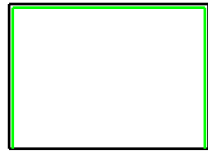
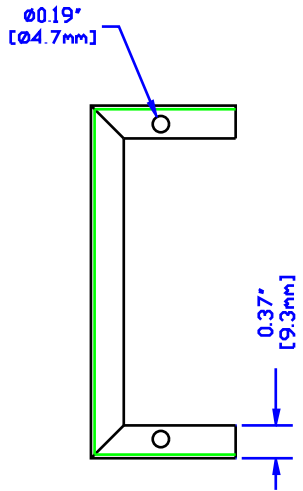
NOTES

MATERIAL - 0.040" THICK ALUMINUM
- #6 x 1/4" SELF TAPPING SCREWS

** 1411G - FINISHED ASA 6I GREY
1411GU - UNFINISHED



3-D VIEW
(NOT TO SCALE)



Ø0.10" [Ø2.5mm]

VIEW OF BASE (INSIDE)

VIEW OF LID (INSIDE)



HAMMOND MANUFACTURING

1411G—Handy Case

website: www.hammondmfg.com